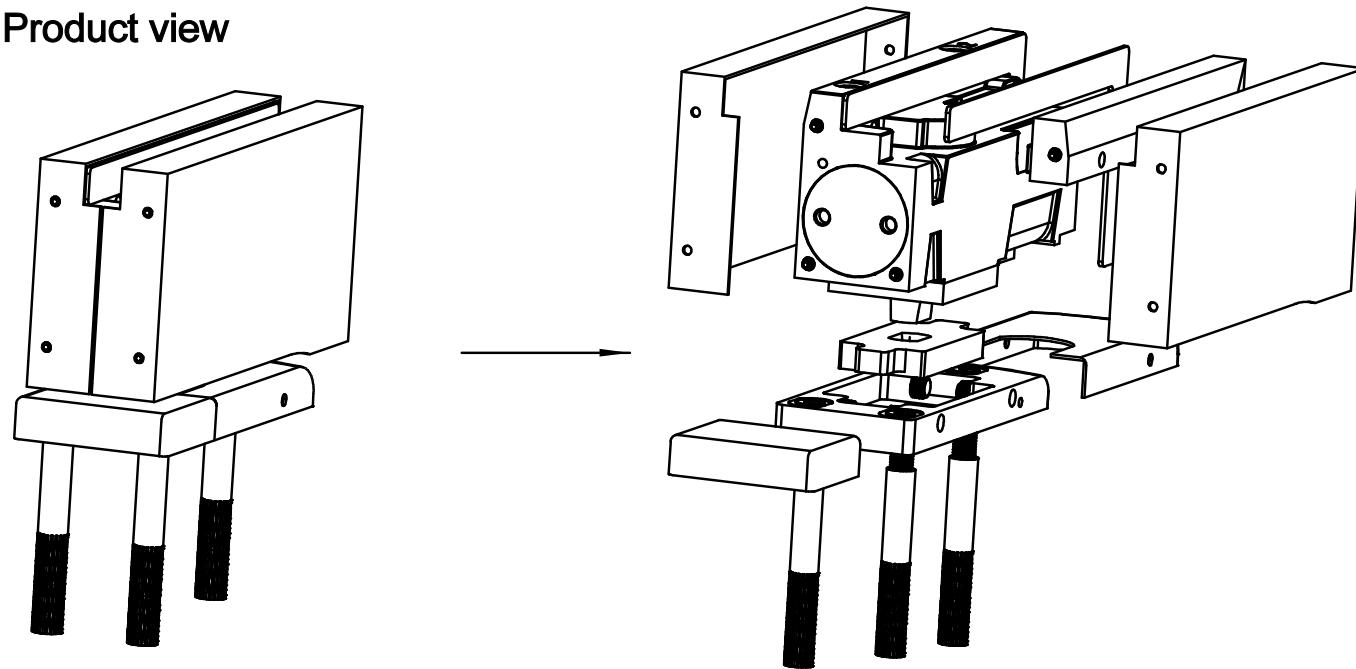
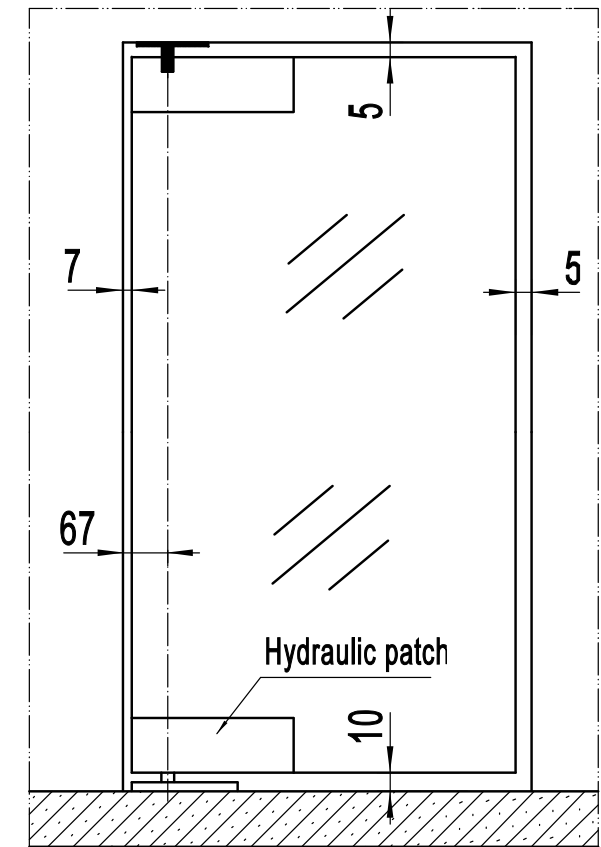


HYDRAULIC PATCH INSTRUCTION MANUAL

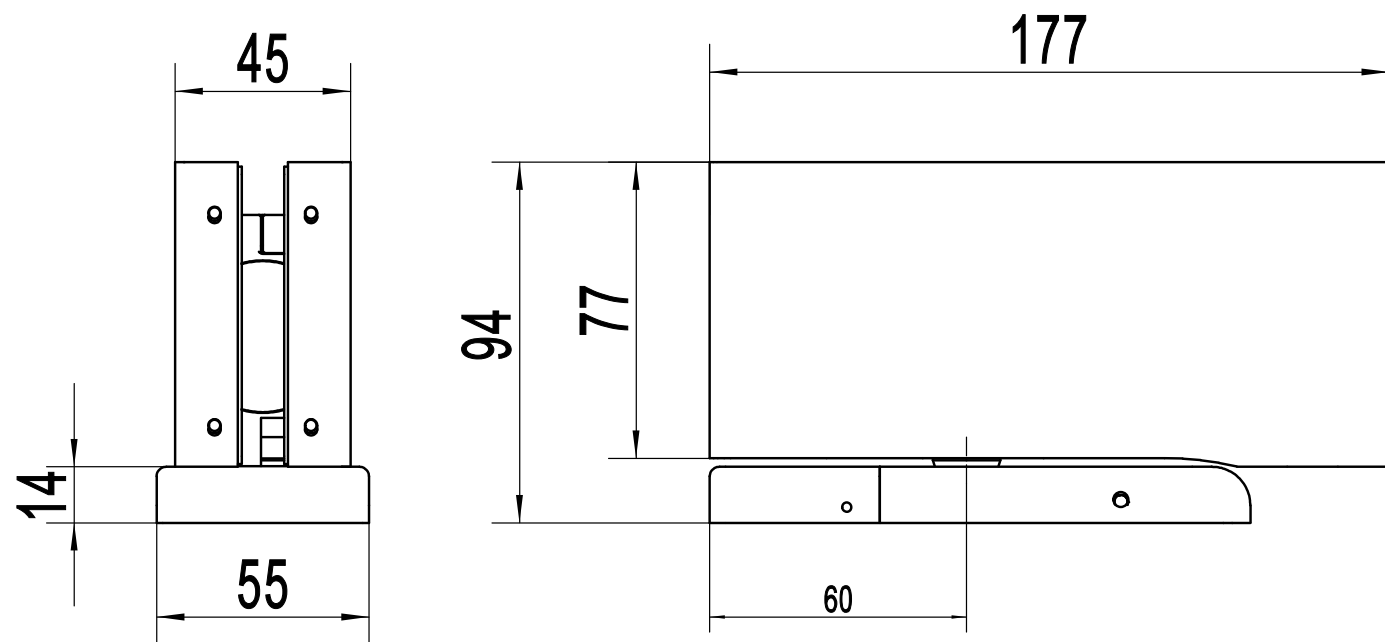
● Product view



● Keep the gaps as per drawing, make sure the top and bottom pivot center are well aligned.

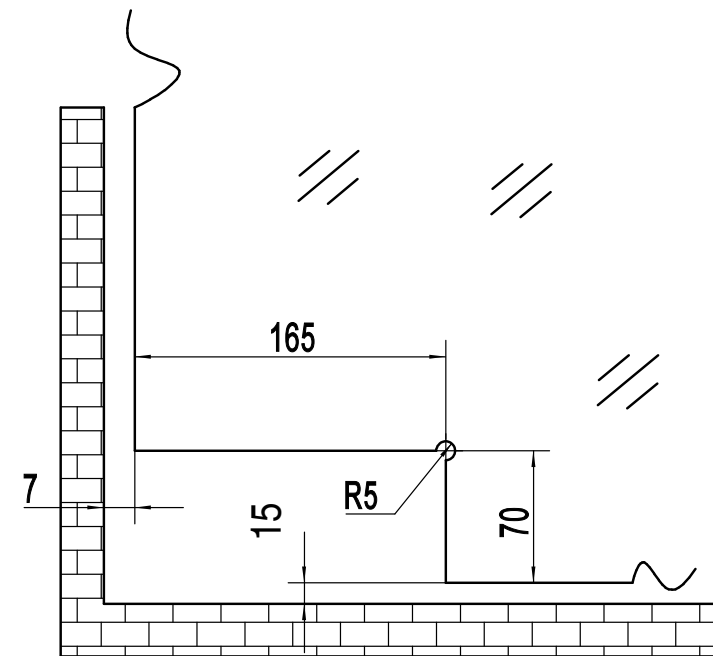


● Dimension:

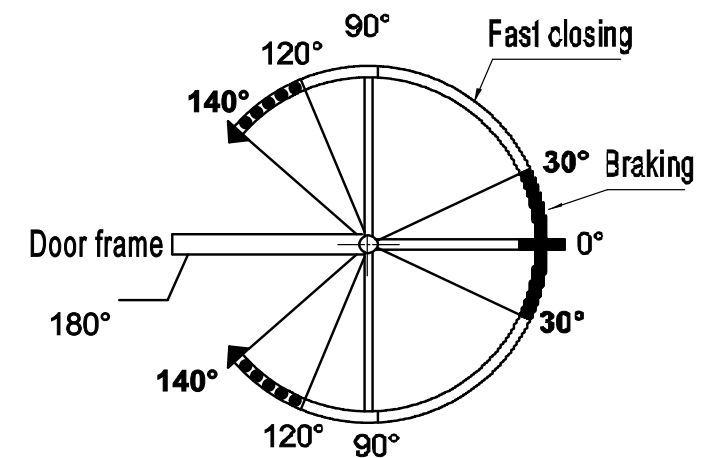


Model	Max.door width (mm)	Max.door weight (kg)
15.24.265	≤1000	100
15.24.268	≤1300	150

● Glass cutout:



● Functional diagram:

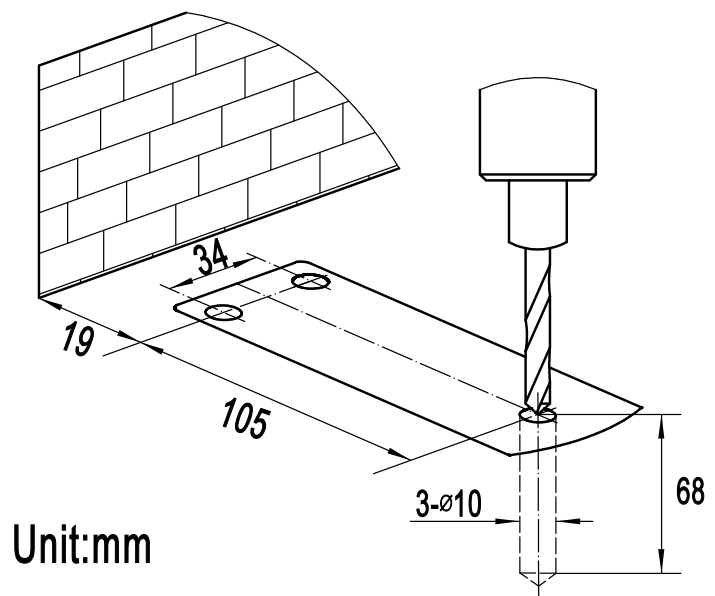


● Features:

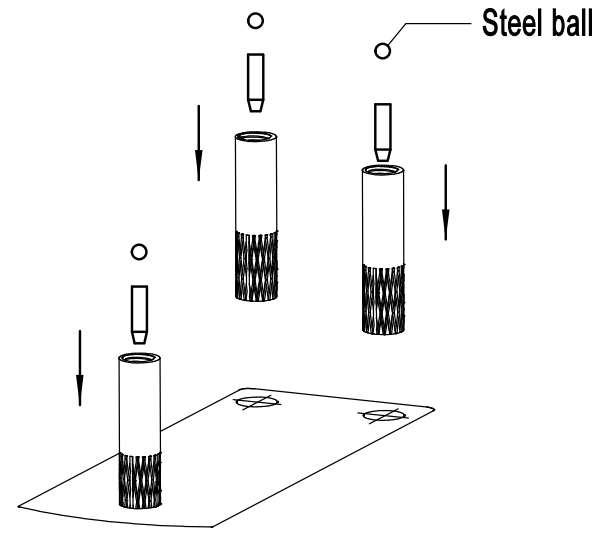
- 1.Open angle: 140° double action
- 2.Door hold open section: 90° and 140°-120° (Optional)
- 3.Two speeds adjustable
Valve 1: 90°-0°
Valve 2: 30°-0°

Glass thickness	Application of rubber gasket
	Thickness (1.5mm)
10mm	4
12mm	4
14mm	2
15mm	2

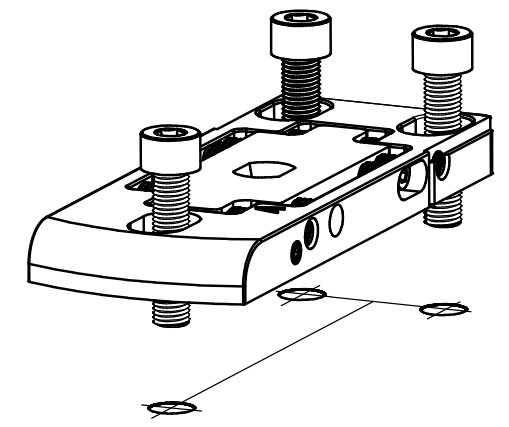
1



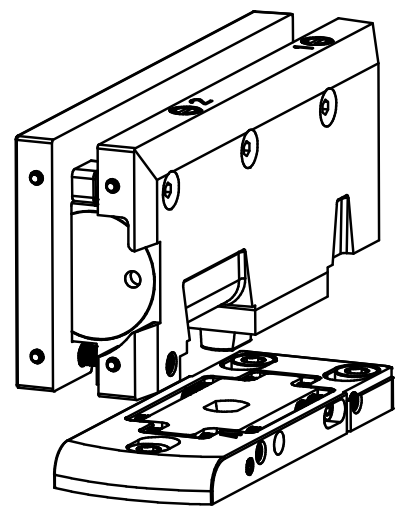
2



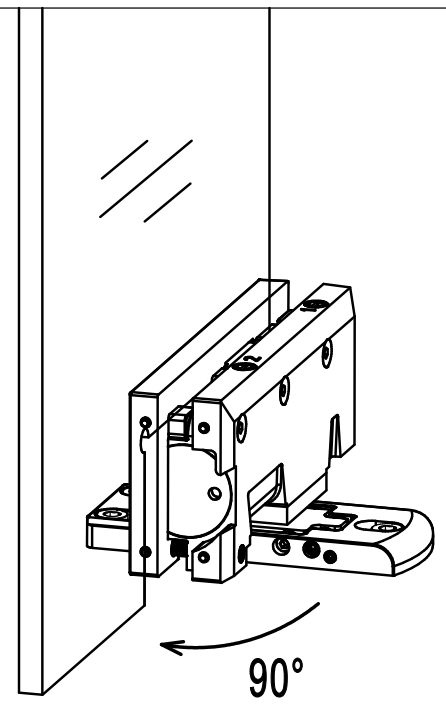
3



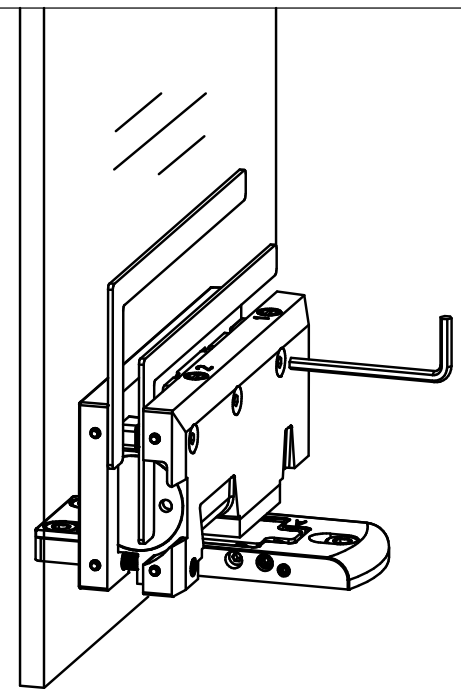
4



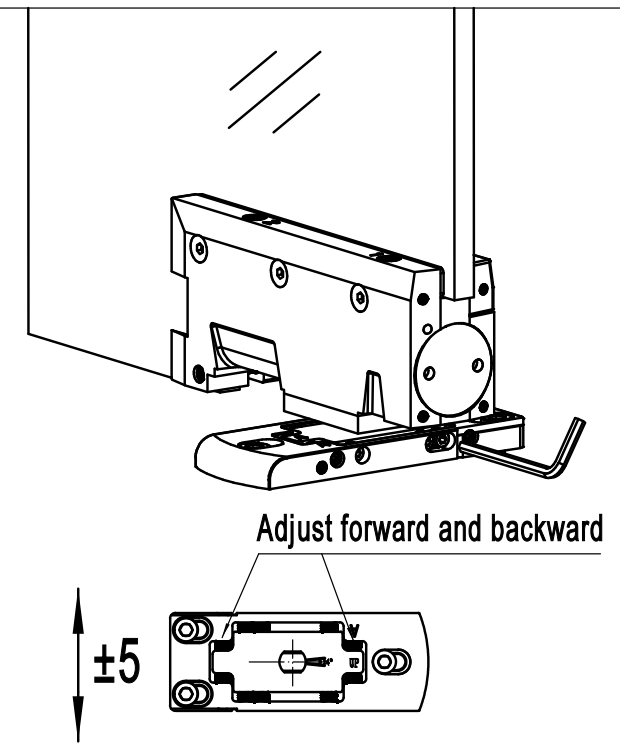
5



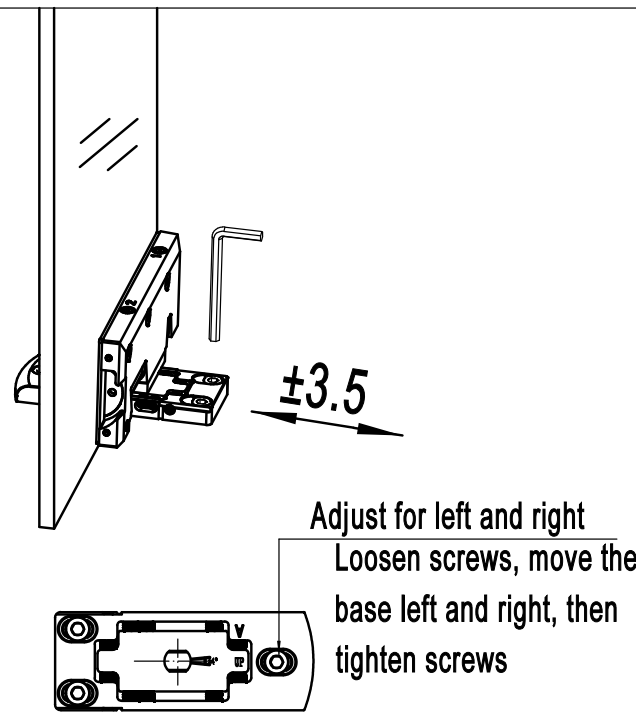
6



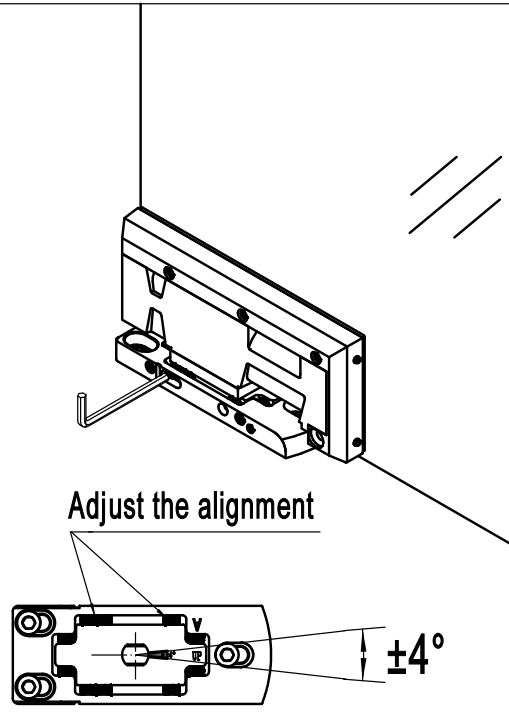
7



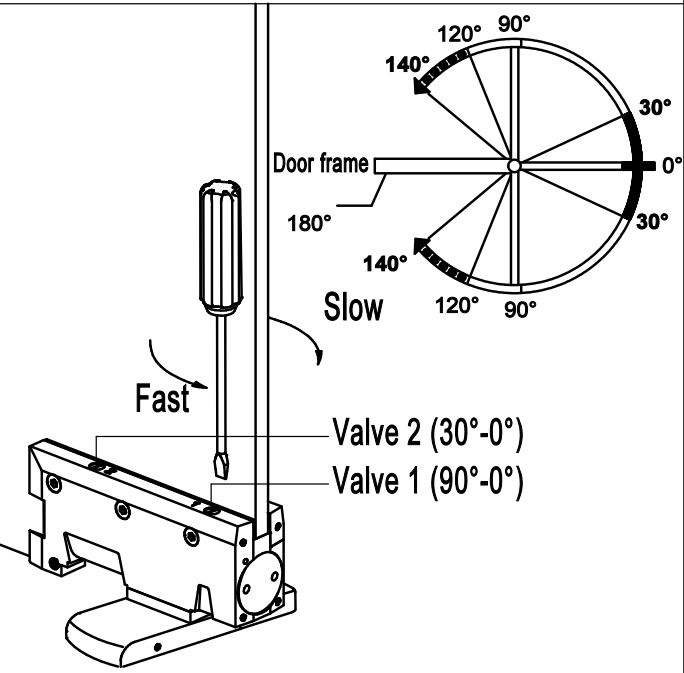
8



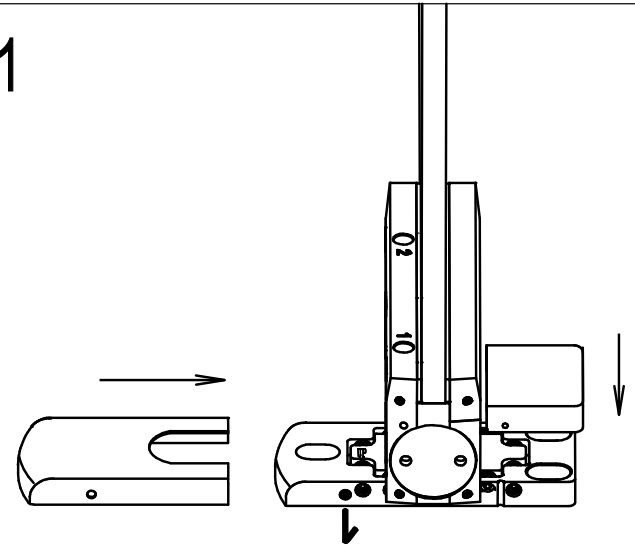
9



10

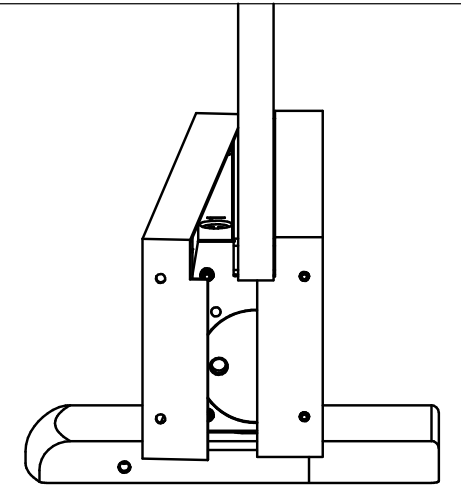


11



First place front cover
After place rear cover

12



snap on to fix the cover plate